

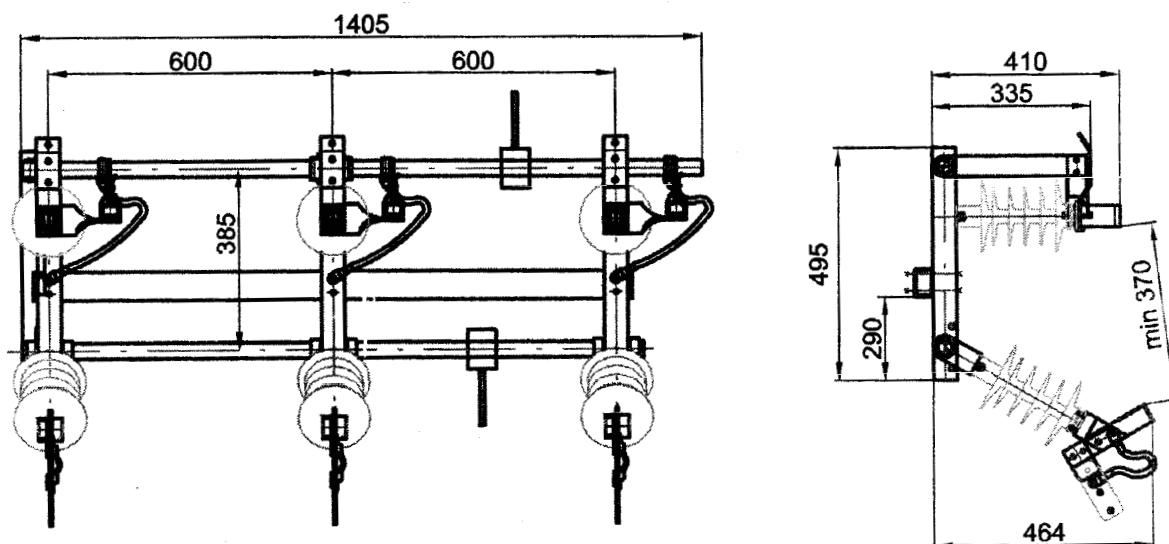
**24 KV/400 A OUTDOOR THREE POLE DISCONNECTOR
WITH EARTHING BLADES
AND SILICON RUBBER INSULATORS**

Description : Mechanical connecting device used for visible connecting and disconnecting of the electrical circuits when the value of the circuit current is negligible .

The disconnecter is equipped with 6 (six) silicon rubber post insulators .

TECHNICAL CHARACTERISTICS:

- Rated voltage24 KV
- Rated current400 A
- Rated frequency50 Hz
- Creepage distance of the post insulator747 mm
- Shape and sizes as per below figure :



- Main current strength $15 \times 10^{-5} \Omega$
- Admissible short current 1 s (I_k) 16 kA
- Peak value of the admissible current (I_p) 40 kA max
- Wet and dry , 1 min. , 50 Hz withstand voltage :
 - a) to the earth , between poles and apparatus terminals 50 kV ef
 - b) between the open contacts of the same pole 60 kV max.
- 1.2/50 μ s Impulse wave withstand voltage :
 - a) to the earth , between poles and apparatus terminals 125 kV max
 - b) between the open contacts of the same pole 145 kV max
- Hand driven device AME type –In
- Pollution level zone IV
- Technical conditions SR EN 62271-102-2003

ENVIRONMENTAL CONDITIONS:

Disconnecter is intended to operate under SR EN 60694 : 2003 prescriptions as regards environmental condition and the following :

- Maximum temperature + 40°C
- Minimum temperature - 40°C
- Relative humidity 92...98% at 25°C

RO – 401112, Turda, str. Ștefan cel Mare nr. 19
 T: +40 264 316 748, 312 350
 F: +40 264 317 045
 E: electroceramica@electroceramica.com
 W: www.electroceramica.com
 C.I.F.: RO 201586 | J12/25/25.01.1991
 Capital social subscris și vărsat: 2.529.050 lei



ELECTROCERAMICA

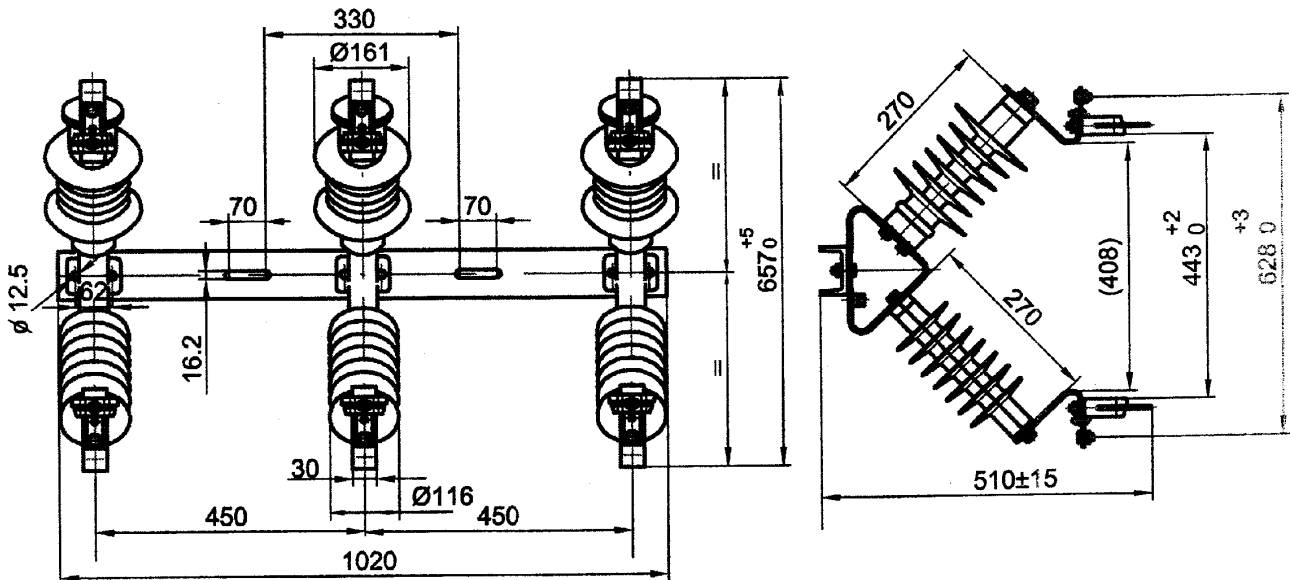
24KV OUTDOOR THREE POLE SOCKLE WITH POLIM –D24N TYPE ARRESTER AND SILICON RUBBER INSULATORS

Description: Outdoor three pole sockles for 24 kV fuses , designated to be used in a.c. equipments for supporting and connecting replacement elements to protect against short-circuit currents .
 Product includes the POLIM D24-N type arrester and silicon rubber insulators.

Identification: SE-POLIM-D 24 N-56-24-40

Technical characteristics:

Rated voltage24 Kv
 Rated current.....2.5÷40 A
 Rated frequency50 Hz
 Shape and sizes as the below figure:



- 1 min. Power – frequency withstand voltage :
- to the earth and between poles50 kV ef
 - on the insulating distance85 kV ef
- Lightning impulse withstand voltage :
- to the earth and between poles.....145 kV_{max}
 - on the insulating distance.....85 kV_{max}
- Volume29 kg
 Contact diameterØ 45/Ø 56 mm
 Technical conditions.....SR EN 60282-1 : 2006
 ST 706/2008

Environmental conditions:

- Minimum temperature- 40°C
- Maximum temperature.....+ 40°C

Ex. Order code: 145.75.1 ;Product is certified by S.C. ELECTRICA S.A.Bucharest based on the sale licence no. 9900/12660/04.11.2008